


**133088 (TC1200EN)**

Hot Cupboard, with 1 shelf and 2 sliding doors, (4 feet), 1200mm

## Main Features

- Sturdiness, stability and reliability of table accurately tested.
- Ideal for central positioning in the kitchen.
- Digital display thermostat to control the internal temperature.
- Model specific to keep dishes warm.
- Handles in stainless steel for better hygiene and reliability.

## Construction

- 100 mm upstand with 10 mm radiused corner and 13 mm deep, designed to be used against a wall.
- Heavy duty construction entirely in AISI 304 stainless steel to offer maximum durability.
- Inner welded frame in stainless steel to guarantee superior strength and stability.
- Intermediate shelf in stainless steel with riveted corners and trasversal reinforcement in stainless steel.
- Base panel has 40mm high profile, is 8/10 in thickness with upturned edges and bar reinforcement. It is welded to legs for further structure reinforcement
- Base panel in AISI 304 stainless steel, 10/10 in thickness reinforced by 15/10 support bars in AISI 304.
- 304 AISI stainless steel feet, 150 mm high and 54 mm in diameter, adjustable by -35/+25 mm.

## Optional Accessories

PNC Code	Description
<b>Feet, wheels and ramps</b>	
855299	Wheel kit for cupboards, 4 wheels (2 with brakes), D=100 mm
<b>Shelves</b>	
132965	Overshelf, neutral, one tier, 1200 mm
132989	Overshelf, with led light and ceramic light, one tier, 1200mm



## Recommended Detergents

PNC Code	Description
OS2881	S01 STAINLESS STEEL SURFACE POLISHER; 6 BOTTLES X 750ML C/T
OS2883	S03 ALCOHOL BASE DETERGENT; 6 BOTTLES X 750ML; ADR&IMDG&IATA Limited Quantity
OS2884	S04 GLASSES & HARD SURFACES CLEANERS; 6 BOTTLES X 750ML
OS3257	S05 - MULTIPURPOSE DEGREASER; 6PCS X 750ML; ADR&IMDG Limited Quantity

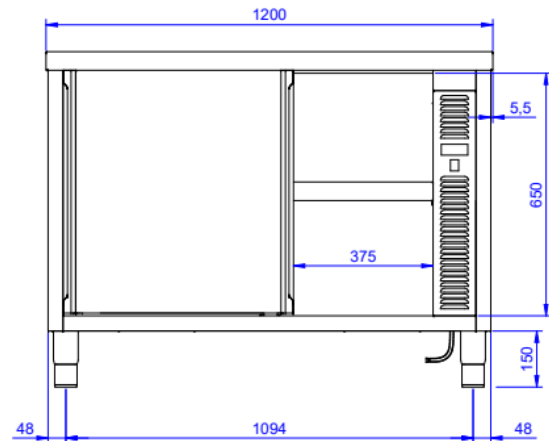


# Technical specifications

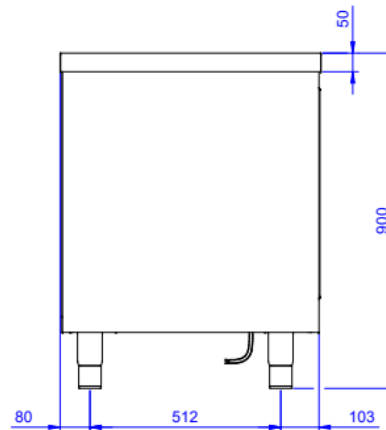
## Key Information:

External dimensions, Width:	1200 mm
External dimensions, Depth:	700 mm
External dimensions, Height:	900 mm
Upstand Dimensions, Height:	0 mm
Upstand Dimensions, Radius:	
Worktop thickness:	50 mm
Net weight:	55 kg

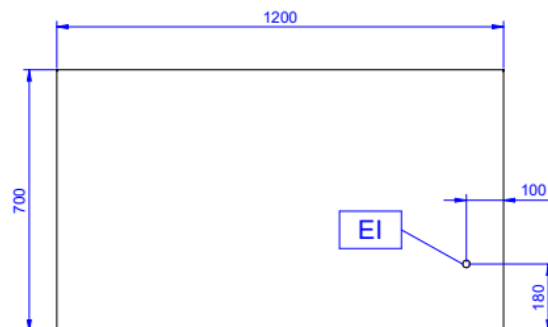
Front



Side



Top



EI = Electrical inlet (power)

DO = Overflow drain pipe



Find out more:  
[ISO Certificates](#)  
[Electrolux Professional Recognitions](#)

The company reserves the right to make modifications to the products without prior notice. All information correct at time of printing.

2026/04/28